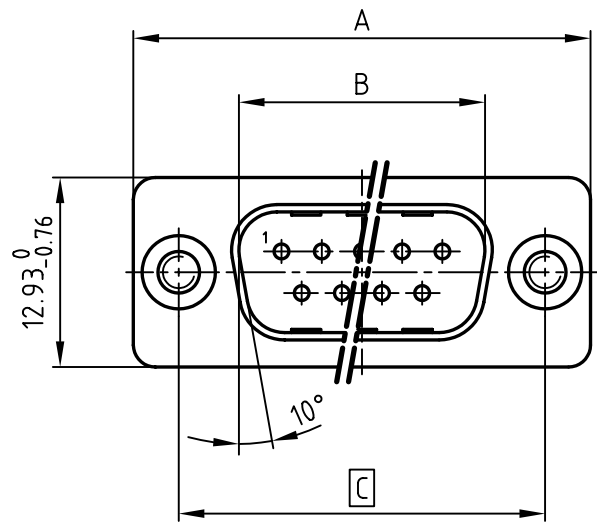
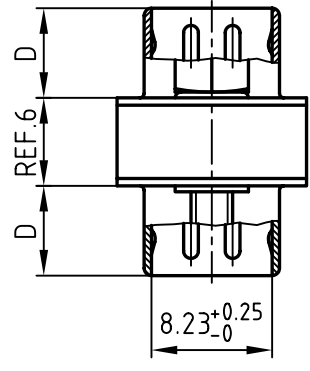
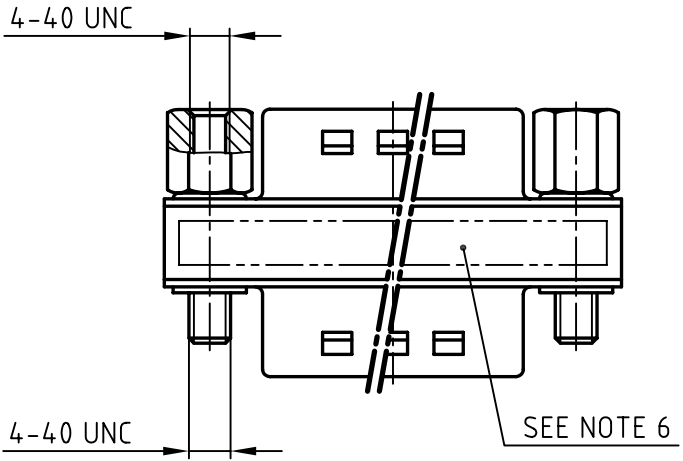


used for: D-SUB



POS.	A -0.76	B $+0.25$	C	D -0.3	Part NO.
9	31.19	16.79	25.00 $+0.12$ -0.13	6.12	320X12509X
15	39.52	25.12	33.30 $+0.15$ -0.1	6.12	320X12529X
25	53.42	38.84	47.04 ± 0.13	5.99	320X10549X
37	69.70	55.30	63.50 ± 0.13	5.99	320X12549X



NOTES:

1. METALSHELLS: STEEL; min. 320 μ " TIN
2. INSULATORS: PBT GF UL 94 V-0, BLUE (b)
3. CONTACTS: COPPER ALLOY
4. PLATING: HARD GOLD OVER NICKEL
5. MAXIMUM TORQUE VALUE FOR THREAD: 6" LBS
6. CONNECTOR IS PART MARKED: PART-NO. CONEC Y/WW
7. [] = CRITICAL DIMENSION

THIS DRAWING MAY NOT BE COPIED OR REPRODUCED IN ANY WAY, AND MAY NOT BE PASSED ON TO A THIRD PARTY WITHOUT WRITTEN PERMISSION. OWNERSHIP AND COPYRIGHT OF CONEC GmbH DO NOT ALTER CAD DRAWING BY HAND

tolerance			
2002	date	name	
drawn	30.04.	Parei	
appd.	30.04.	E. Mickenbecker	
norm	DIN 41652		
d-old			
1 x b	Ä 2202	07.04.2005	HS
rev.	description	date	name



scale:	2:1
material:	SEE NOTES
title:	GENDER CHANGER 2 x plug connector 9-37pos.
dwg no:	AutoCAD 2000
part no:	SEE TABLE
DIN-A	4
sh:	1/1

4 3 2 1